



## ABOVE GROUND POOL QUICK REFERENCE GUIDE



SCAN ME

# Welcome

Welcome to the Pool and Spa Depot family! The following guide is to help you understand what is involved in building your new above ground pool.

## Your above ground pool installation requirements:

- 1. Mark the desired location of the pool and equipment**
- 2. Order the necessary sand for the size of your pool**  
**\*If needed for buildup of site, order necessary gravel**
- 3. Check with your local codes office for permits and other requirements**

Like any outdoor construction project, unforeseen circumstances may occur (weather, scheduling, ground conditions, etc.).

Our Scheduling and Installation Department will reach out to you to schedule a day that is convenient for your installation once your pool has been paid in full or approved finance in full. Contact will vary by location as well as time of year based on the build schedule and lead times. Calls are generally the week prior to the build date.

If you have any questions, at any point in the process, please reach out to us directly at the numbers listed below.

**Brentwood, TN (615) 651 8114**

**LaVergne, TN (615) 651 8114**

**Clarksville, TN (931) 919 5025**

**Cookeville, TN (931) 854 9255**

**Bowling Green, KY (270) 782 1119**

**Nashville Scheduling/Installation Department 615 651 8114**

**[installation@poolandspadepot.com](mailto:installation@poolandspadepot.com)**

## Homeowner's Pre-Installation Checklist

- Underground Lines:** Locate and clearly mark electric, phone, cable, or any other utility lines, septic tank, and field lines on or near pool site prior to excavation. Call 811 (free) and get reference number of 811 ticket for installation department. Note: Private utilities such as electrical lines to outbuildings, gas grills and light lines will not be marked by 811 and are the customer's responsibility to accurately mark their location. Pool and Spa Depot is not responsible for damage to unmarked utilities during the excavation or build process.
- Permits:** Check with local, county, and state codes departments and provide any permits required to issue complete compliance with all code ordinances.
- Pool Plus Pump & Filter Location:** Locate and mark the pool site and filter location prior to excavation and in accordance with all state and local codes.
- Identify Path Access:** Provide an 8' access path for excavation equipment. Pool and Spa Depot will not be responsible for damage to the yard, driveway, or any obstacles in access path. We will remove part of a fence with customer approval to allow 8' access, but PSD will not put the fence back up. We do not drive over septic or field lines.
- Sand Material:** Order and pay for fine mason sand, and arrange for delivery, prior to schedule date. Sand is to be placed within 20' of pool site, but not directly on the area to be excavated. Get sand immediately as waiting to get sand can cause delays in scheduling of installation.

### Sand Requirement:

*Reference: Laying Out Your Pool on next page.*

POOL SIZES	AND TO ORDER	POOL SIZES	AND TO ORDER
15' Pool	4 tons of sand	27' Pool	9 tons of sand
18' Pool	5 tons of sand	30' Pool	10 tons of sand
21' Pool	6 tons of sand	33' Pool	12 tons of sand
24' Pool	7 tons of sand	15 x 30' Pool	10 tons of sand
10' x 20' Pool	5 tons of sand	18 x 33' Pool	12 tons of sand
12' x 23' Pool	6 tons of sand		

## Homeowner's Post-Installation Checklist

- Fill Pool:** Furnish water and fill the pool to the proper level (approximately 1/2 way up the skimmer opening) before starting filter system. See "Filling Instructions."
- Install Steps:** Placement of steps (if purchased) into the pool after filling with water. (Note: we DO NOT install the steps during installation. We will leave the steps a few feet away from the pool) this is the homeowner responsibility to put the steps in the pool.
- Grading Services:** Grade, Remove, Spread, and/or backfill any excess dirt or sand left around the pool. (Note: We DO NOT provide grading or haul off services in our installation) this is the homeowner responsibility.
- Extra Services:** Pay for any excavation beyond what is included. Requests for additional work must be made prior to installation. Payment is to be made to the excavator.
- Pool Safety:** Teach pool safety to family and guests, specifically NO DIVING, SHOVING, PUSHING, or HORSE PLAY. Install and use alarms and all other safety devices ensuring compliance with all safety regulations. This specifically includes a pool alarm, as required by Tennessee State Codes.

**Note: POOL & SPA DEPOT IS NOT RESPONSIBLE FOR WATER REPLACEMENT FOR ANY REASON.**

## Electrical Requirements

The customer must provide a 20 amp 110v power source for the pump that is protected by a Ground Fault Circuit Interrupter (G.F.C.I.). This service should be provided by a qualified electrician in accordance with state and local codes after the pool has been installed. Bonding of the pool is the electrician's responsibility (water bonding and pool bonding) per local codes and permitting

**Note:** An extension cord does not meet electrical codes and will void the pump manufacturers warranty.

**You will need to schedule your electrical the DAY OF or AFTER the pool is installed, not before.**

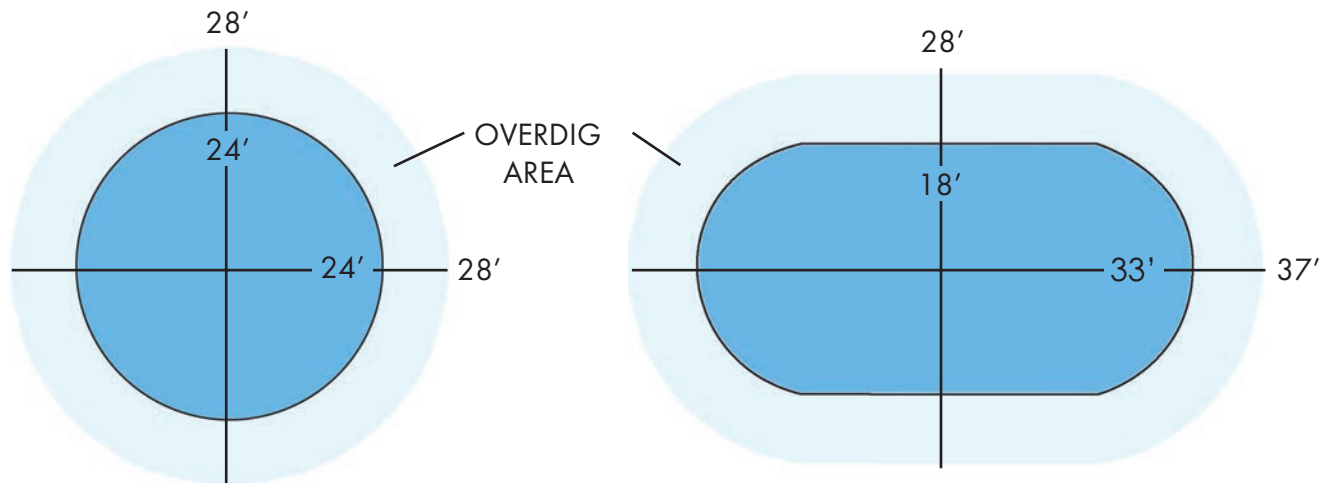
# Laying Out Your Pool

To begin, make sure that the pool site is not within 15' of any overhead power lines, and 10' from any trees. The pool cannot be built over any part of a septic system, and you are responsible for making sure the pool is not infringing on any property lines, easements, or built over any utility lines. We do our best to accommodate the customer's chosen site for the pool sometimes it does need to be moved once we are on site and that will be at the discretion of the excavator.

**Note:** Required distances from property lines vary in every community. Most of this information can be obtained when you get your permit. Note any specific code/permit limitations (ex. distance from house, property line, etc.)

**Round Pools:** Once you have chosen your site, place a screwdriver into the ground at the center of the pool. Secondly, measure a section of string that is half of the diameter of your pool, plus an extra 2'. For example, a 24' pool would require a 14' string. The extra 2' is for the over dig of the pool site. We will need to have a minimum of 2' around the pool to have the room for proper installation. Next, tie one end of the string to the screwdriver, and while pulling the string tight, walk the circumference of the pool and mark it with several stakes or paint.

**Oval Pools:** Oval pools are done in about the same manner. Keep in mind that due to the side braces on an oval pool, the "overdig" requires the dimensions of the pool, plus 2' on the length and 5' on the width. For example, an 18' x 33' oval would be staked out at 28' x 37'. Stake out or paint the area as best you can, and the installer will verify and square up the site for you.



## So remember these keys questions:

- Approximately how far out of level is the pool site (Inches)?
- Are there overhead power lines near the pool site?
- Are there underground utilities?
- Are there any trees or tree stumps near the pool site?
- Do you have a septic system?

## Installation Photos

Most homeowners would like to know what their project will look like after installation. Below are some great photos of our installation and what to expect after the project is completed.



This is left over pool sand on the job site. It is more cost saving to order more sand and have a little left over than to order and pay another delivery charge if you don't have enough.



This pool had a very small slope, but you can see how much dirt is left behind. Additional excavation, grading and dirt work beyond that which is required for leveling the pool site is available by bid only and made prior to install date



Some jobs have a little rock in the ground when we dig, so be aware that your yard could have the same. It is important for the bottom of the pool base around the outside to have dirt pushed up around it to help contain the sand.



This is a picture of your pump and filter. Notice the dirt ground after digging out the pool. This is very common, and most homeowners plant seed and straw to grow back the grass after installation, or you can use decorative gravel.



This picture shows where a homeowner asked us to move the dirt to the end of his property. This can be done by paying the excavator directly after the pool is installed. A local bobcat operator can be found to move dirt and grade your yard after the build for an affordable rate.

## Installation with an Existing Deck

If you have a partial existing deck around your pool, we can still install a new pool. The illustration below shows what your new pool will look like if your pool size is different and also the up to 24" inch gap that may be left when installing the same size pool. Even when replacing an identical size pool, difference in manufacturers and pool models often vary slightly in dimensions or number of uprights. This can result in the need for a carpenter to modify your deck before or after the installation.



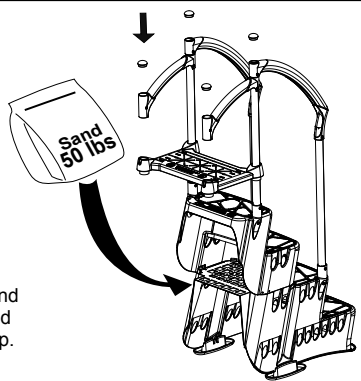
Note: Due to varying conditions involving pool installations beside pre-existing decks, Pool and Spa Depot and/or their installers will not be responsible for precise pool placement, elevation, or joining of pools beside pre-existing decks.

The Pool and Spa Depot installers will attempt to place pool as close as possible to pre-existing deck, but a gap of up to 24 inches may occur. Pool and Spa Depot and their installers are not responsible for any gap up to the 24-inch range.

# The Biltmor by Innovaplas

The placement of steps (if purchased) into the pool after filling with water is your responsibility. (Note: we DO NOT install the steps during installation.) We will leave the steps a few feet away from the pool. The reason for this is you have to wait until the pool is 100% filled, before putting the steps in the pool. Since the homeowner will fill the pool, this is their responsibility to put the steps in the water.

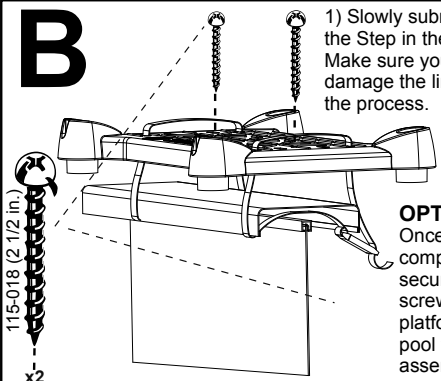
**A**



1) Install the four post covers.

2) Insert a bag of sand onto surface provided at the rear of the step.

**B**



1) Slowly submerge the Step in the pool. Make sure you do not damage the liner in the process.

2) Once the step is in the pool secure the platform to the top seat (see illustration) using the two straps provided.

Security strap x2

**OPTIONAL:**  
Once the pool step has been completely assembled and secured to the pool, attach the 2 screws supplied through the platform to the top seat of your pool to provided a more rigid assembly.

115-018 (2 1/2 in.) x2

**C**

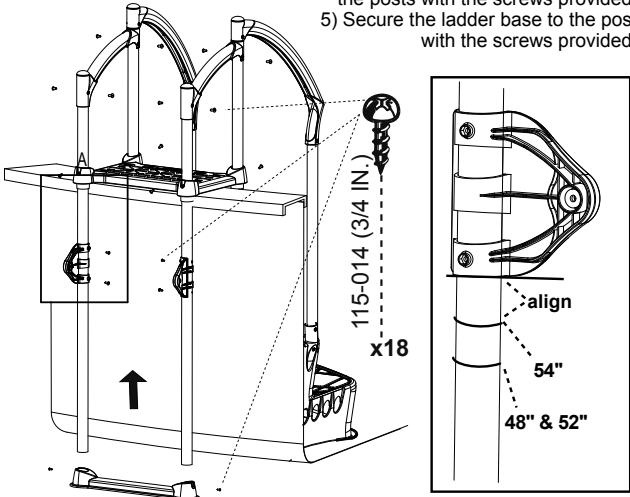
1) Trace a line on each post at 39 inches from the ground for 48" & 52" Pools. If you have a 54" pool trace a line at 40.5" from the ground.

2) Slide the pivot blocks onto the posts and line up with the traced marks. Secure with the screws provided.

3) Slide the 2 posts through the platform and handrails.

4) Secure the handrails and platform to the posts with the screws provided.

5) Secure the ladder base to the post with the screws provided.



115-014 (3/4 IN.) x18

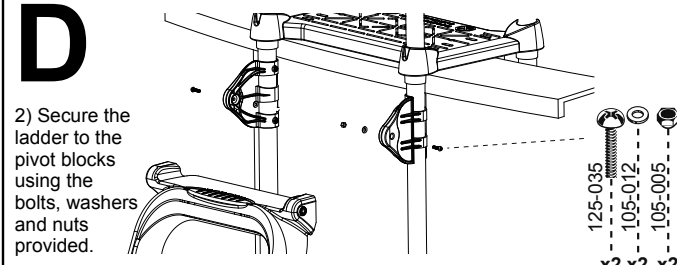
align

54"

48" & 52"

**D**

2) Secure the ladder to the pivot blocks using the bolts, washers and nuts provided.



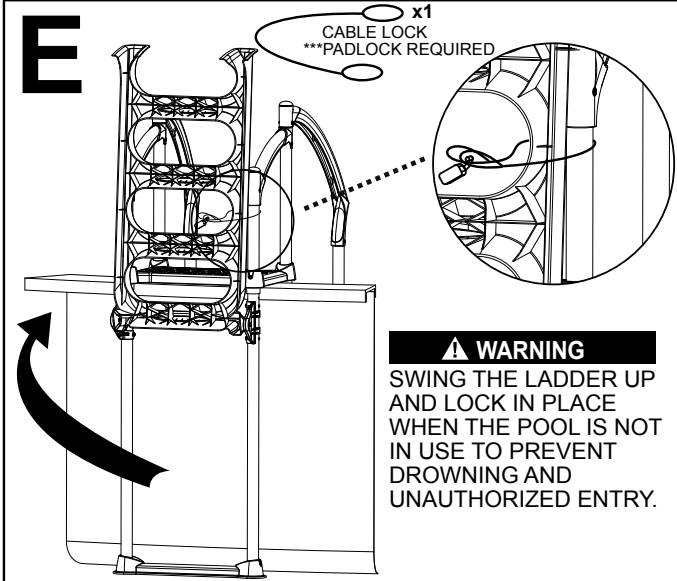
125-035 x2

105-012 x2

105-005 x2

**E**

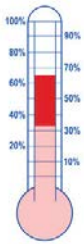
x1 CABLE LOCK  
\*\*\*PADLOCK REQUIRED



**⚠ WARNING**  
SWING THE LADDER UP AND LOCK IN PLACE WHEN THE POOL IS NOT IN USE TO PREVENT DROWNING AND UNAUTHORIZED ENTRY.

# Filling Instructions

Pool liners are designed to stretch slightly as they fit the pool during filling. Weather conditions and air temperature directly affect the pace in which the filling can be completed. If the pool is filled at night, or too quickly during the day without sunlight reaching the pool, the liner can buckle the wall or pull down causing a sag in the wall pattern. These are not usually structural problems. However, they are unattractive. The installation guarantee does not cover the liner sags or wall buckles caused by improper filling. We have included detailed suggestions below to help prevent these issues from happening.



## 32-65 Degree Filling:

During the final stages of installation, the installers will begin to fill the pool to seat the liner. They will remove any folds from the packaging and position the liner evenly around the wall and floor. After the installers have left, continue filling the pool until you reach a total of 6 inches. Please do not continue to fill the remainder of the pool for the rest of the day. The following days if weather allows, begin to add 2 to 3 inches of water each day.

### Special Instructions:

- Only add water on days that direct sunlight is reaching the pool.
- Do not add more than 3 inches unless the water is 65 degrees. If it is above 65 degrees and direct sunlight is reaching the pool, do not add more than 6 inches.
- Continue this process until you reach a total of 24 inches. After 24 inches you may fill the remainder of the pool. Only add water on the days that have direct sunlight reaching the pool.



## 65 Degrees & Warmer Filling:

During the final stages of installation, the installers will begin to fill the pool to seat the liner. They will remove the folds from the packaging and position the liner evenly around the wall and floor. After the installers have left, continue filling the pool until direct sunlight is no longer reaching the pool. Please DO NOT continue to fill the pool for the remainder of the day. The following day (if the sun allows), begin to add water as direct sunlight is reaching the pool each day.

### Special Instructions:

- Only add water on days that have direct sunlight reaching the pool.
- If the temperature is above 65 degrees and direct sunlight is reaching the pool, you may continue filling the pool until direct sunlight is no longer reaching the pool.
- Continue this process until you reach a total of 24 inches. After reaching 24 inches, you may fill the remainder of the pool.



## Other Important Information:

Pool & Spa Depot does NOT recommend 'Quick Filling' methods such as water tanker, fire hydrant and/ or multiple hose use. If these methods are the only source of filling available, please do not attempt to fill the pool unless the temp is above 75 degrees and direct sunlight is reaching the pool. Also, please request the lowest level of water pressure is used during the filling.

**DO NOT ENTER THE POOL AND/OR STAND ON THE LADDER/STEP SYSTEM BEFORE THE POOL IS COMPLETELY FULL OR THE SAND BOTTOM WILL BE COMPROMISED. (I.E. FOOTPRINTS, HEEL INDENTIONS, ETC.). THE INSTALLATION GUARANTEE DOES NOT COVER THESE OCCURRENCES.**

**LINER DAMAGE CAUSED BY NUTGRASS, INSECTS, NEGLIGENCE OR ACTS OF GOD ARE NOT COVERED UNDER ANY WARRANTY.**

**YOU ARE NOW READY TO ENJOY THE SUMMER IN THE SAFETY AND COMFORT OF YOUR VERY OWN POOL!**



On behalf of everyone at Pool and Spa Depot, we would like to take a moment to thank you for choosing us to be your swimming pool installer. The building of an above ground swimming pool can be an exciting and quick process.

**For any future service or operational needs, please contact us at the numbers listed below:**

Brentwood, TN (615) 315-8000

LaVergne, TN (615) 651-8100

Clarksville, TN (931) 919-5025

Cookeville, TN (931) 854-9255

Bowling Green, KY (270) 782-1119

Service Department (615) 514-1911

**E-mail: [service@poolandspadepot.com](mailto:service@poolandspadepot.com)**

# Thank you for choosing Pool & Spa Depot!



**7115 Bakers Bridge Ave  
Brentwood, TN 37027  
615-315-8000**



**165 Stones River Road  
La Vergne, TN 37086  
615-651-8100**



**160 Terminal Road  
Clarksville, TN 37040  
931-919-5025**



**1470 Interstate Drive  
Cookeville, TN 38501  
931-854-9255**



**1830 Wallace Court  
Bowling Green, KY 42103  
270-782-1119**

# SIGNUP NOW TO GET A FREE VIP CARD 10% OFF

FREE VIP CARD GOOD FOR FUTURE CHEMICAL PURCHASES

## FOR 12 MONTHS

NAME:

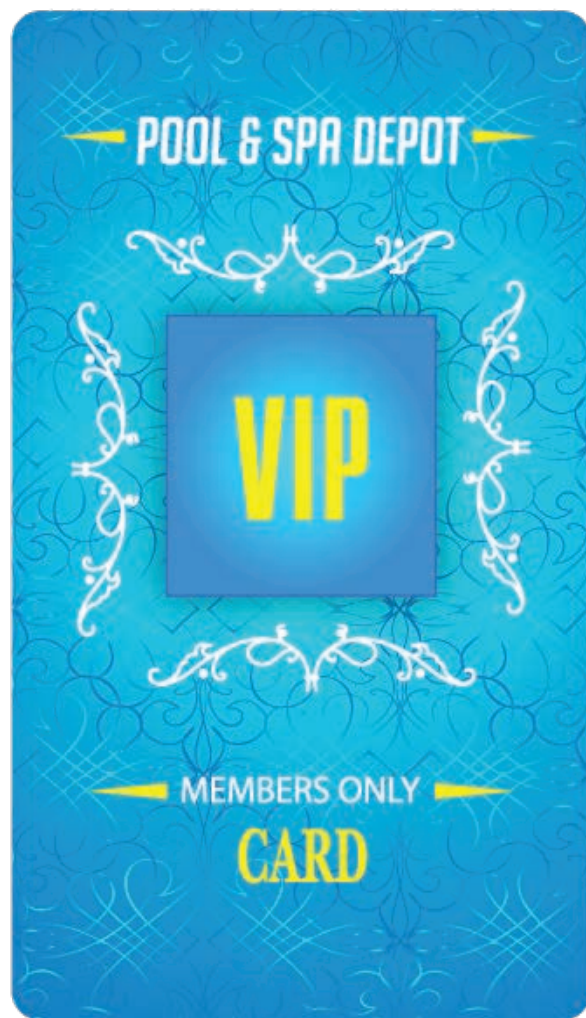
PHONE:

ADDRESS:

EMAIL:

CITY:

ZIP CODE:



**START SAVING TODAY!**

# POOL SCHOOL!

We would like to invite you to our **FREE Pool School** held during the pool season. We discuss chemicals, filter systems, vacuuming, and how to maintain your pool. Call your local Pool & Spa Depot to confirm availability, class times and reserve your seat. Pool school attendees receive a discount on same day purchases of chemicals, floats, etc.

**If you can't attend, request a 'Pool School' video link!**

We test water in each of our locations once a week for FREE, bring us a fresh water sample from your pool and we'll test it while you are here.

Remember, properly balanced water chemistry will prolong the life of your liner, as well as provide a safe body of water for your friends and family to enjoy. To avoid potential pool damage and warranty issues, please monitor pool chemistry and routinely inspect plumbing for any issues or leaks.

We also offer a FREE Winter Closing School in the fall, call your local Pool and Spa Depot for details.

**Brentwood, TN (615) 315-8000**

**LaVergne, TN (615) 651-8100**

**Clarksville, TN (931) 919-5025**

**Cookeville, TN (931) 854-9255**

**Bowling Green, KY (270) 782-1119**



**Brentwood** | 7115 Bakers Bridge Ave



**LaVergne** | 165 Stones River Rd.



**Clarksville** | 160 Terminal Rd.



**Cookeville** | 1470 Interstate Dr



**Bowling Green** | 1830 Wallace Ct.